



### ! IMPORTANT SAFEGUARDS ! WHEN USING ELECTRICAL EQUIPMENT, BASIC SAFETY PRECAUTIONS SHOULD ALWAYS BE FOLLOWED, INCLUDING THE FOLLOWING:

1. Do not use outdoors.
2. Do not use this equipment for other than its intended use.
3. The installation should be performed by a licensed electrician.
4. To prevent death, injury or damage to property, this product must be installed in accordance to National Electrical Code (NFPA70) in the US or Canadian Electrical Code (CSA 22.1) in Canada.
5. Disconnect power before installing the product or servicing it.
6. Wait until fixture has cooled down before installing or servicing the fixture.

### SAVE THESE INSTRUCTIONS READ AND FOLLOW ALL SAFETY INSTRUCTIONS

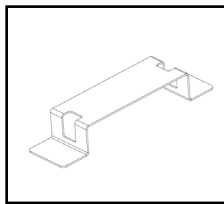
#### What's In The Box



One Sensor Module



One Bluetooth Module



One Mounting Bracket  
with adhesive tabs



One wiring harness

#### Tools Needed

Wire strippers may be required for installation of the sensor kit.

**1** Make sure the luminaire has 0-10 dim-to-off and the driver has 12VAUX output. Carefully unpack the unit from its packaging. Inspect product for defects due to shipping.

**2** Turn off power to appropriate circuit at the breaker panel.

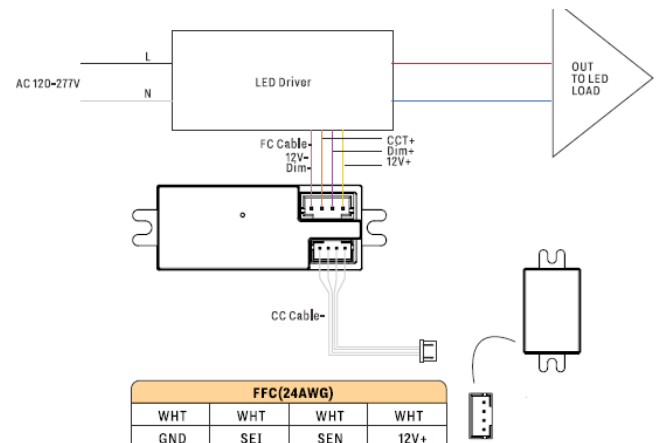
**3** Open the fixture and find the location for the sensor. A knockout or opening is required in any metal parts for the sensor to work properly.

**4** Using the double sided tape, adhere the sensor to the mounting bracket. Then adhere the bracket to the fixture such that the sensor is seeing out through the opening in the fixture.



**5** Identify the location for the bluetooth module. This module must be mounted as far from the sensor as is allowed by the wiring harness and fixture design. A minimum distance of 1 foot (305mm) is required.

**6** Wire per diagram below



#### Note:

1. Installation of the NICOR NLC app is required to configure the settings of the sensor.
2. Factory default settings
  - a. Sensitivity: 100%
  - b. Hold time: 5 minutes
  - c. Daylight sensor is ON
  - d. Dimming level: 30%
  - e. Dimming time: 60 minutes



# SENSORMWBT1KIT INSTALLATION INSTRUCTIONS

## LIMITED WARRANTY AND DISCLAIMERS OF WARRANTIES

Subject to the exclusions contained below, NICOR Inc. (NICOR) warrants that the Network Lighting Controls (NLC) made by NICOR to be free from defects in materials and workmanship, under normal consumer usage for a period of five (5) years from date of purchase. This limited warranty is a consumer's exclusive remedy, and applies only to new products purchased and used by consumers in the United States or Canada, which are accompanied by this written warranty.

This limited warranty extends only to first consumer purchaser, and is not transferable. A consumer wishing to invoke the terms of this warranty must first obtain an RGA number within 30 days of discovery of the defect, and return the product to NICOR for inspection. Once verified to be covered by this limited warranty, NICOR will, at its discretion, repair, replace or refund the purchase price of any product that does not conform to this limited warranty.

This limited warranty covers only defects in material and workmanship associated with normal installation and intended use of the product.

### THIS LIMITED WARRANTY DOES NOT COVER THE FOLLOWING:

Normal wear and tear

Defects or damages resulting from improper installation, operation, storage, misuse or abuse, accident, or neglect;

Defects or damages resulting from improper service, testing, adjustment, installation, maintenance, alteration, connection to out-of specification electrical service, corrosive or damp environments, or connection to incompatible equipment or devices (e.g., connecting non-dimmable lighting products to dimmers);

Damage which occurs in transit;

Power surges or overheating due to external conditions;

Acts of nature including but not limited to lightning strikes

ANY IMPLIED WARRANTIES, INCLUDING WITHOUT LIMITATION, THE IMPLIED WARRANTIES OF MERCHANTABILITY AND FITNESS FOR A PARTICULAR PURPOSE SHALL BE LIMITED TO THE DURATION OF THIS LIMITED WARRANTY, OTHERWISE THE REPAIR, REPLACEMENT, OR REFUND AS PROVIDED UNDER THIS EXPRESS LIMITED WARRANTY IS THE EXCLUSIVE REMEDY OF THE CONSUMER, AND IS PROVIDED IN LIEU OF ALL OTHER WARRANTIES, EXPRESS OR IMPLIED. IN NO EVENT SHALL NICOR BE LIABLE, WHETHER IN CONTRACT OR IN TORT (INCLUDING NEGLIGENCE) FOR DAMAGES IN EXCESS OF THE PURCHASE PRICE OF THE PRODUCT, OR FOR ANY INDIRECT, INCIDENTAL, SPECIAL OR CONSEQUENTIAL DAMAGES OF ANY KIND, OR LOSS OF REVENUE OR PROFITS, LOSS OF BUSINESS OR OTHER FINANCIAL LOSS ARISING OUT OF OR IN CONNECTION WITH THE ABILITY OR INABILITY TO USE THE PRODUCT TO THE FULL EXTENT THESE DAMAGES MAY BE DISCLAIMED BY LAW.